



CANEC25030712728

2025 12 17

1 7

6

SGS

GZP25-034879

SHP25-041836

2025 12 09

2025 12 09 ~ 2025 12 16

RoHS (DEHP) (DIBP)	2011/65/EU (PBB) (BBP)	II (PBDE)	(EU) 2015/863- (2- (DBP))
--------------------------	------------------------------	--------------	--------------------------------	---



Violet Shi

Scan to see the report





CANEC25030712728

2025 12 17

2 7

		SGS ID	
SN1	A57	CAN25-0307127-0001.C057	

(1) 1 mg/kg = 1 ppm = 0.0001%

(2) MDL=

(3) ND = (< MDL)

(4) "-" =

RoHS	2011/65/EU	II	(EU) 2015/863-	(PBB)
(PBDE)	(2-)	(DEHP)	(BBP)
(DBP)	(DIBP)			

IEC 62321-4:2013+AMD1:2017 IEC 62321-5:2013 IEC 62321-7-2:2017 IEC 62321-12:2023 ICP-OES/AAS UV-Vis GC-MS

			MDL	A57
(Pb)	1000	mg/kg	2	193149 ^U
(Hg)	1000	mg/kg	2	ND
(Cd)	100	mg/kg	2	ND
(Cr(VI))	1000	mg/kg	8	ND
(PBB)	1000	mg/kg	-	ND
(MonoBB)	-	mg/kg	25	ND
(DiBB)	-	mg/kg	25	ND
(TriBB)	-	mg/kg	25	ND
(TetraBB)	-	mg/kg	25	ND
(PentaBB)	-	mg/kg	25	ND
(HexaBB)	-	mg/kg	25	ND
(HeptaBB)	-	mg/kg	25	ND
(OctaBB)	-	mg/kg	25	ND
(NonaBB)	-	mg/kg	25	ND
(DecaBB)	-	mg/kg	25	ND
(PBDE)	1000	mg/kg	-	ND
(MonoBDE)	-	mg/kg	25	ND
(DiBDE)	-	mg/kg	25	ND
(TriBDE)	-	mg/kg	25	ND
(TetraBDE)	-	mg/kg	25	ND
(PentaBDE)	-	mg/kg	25	ND
(HexaBDE)	-	mg/kg	25	ND
(HeptaBDE)	-	mg/kg	25	ND
(OctaBDE)	-	mg/kg	25	ND





CANEC25030712728

2025 12 17

3 7

			MDL	A57
(NonaBDE)	-	mg/kg	25	ND
(DecaBDE)	-	mg/kg	25	ND
(2-) (DEHP)	1000	mg/kg	50	ND
(BBP)	1000	mg/kg	50	ND
(DBP)	1000	mg/kg	50	ND
(DIBP)	1000	mg/kg	50	ND

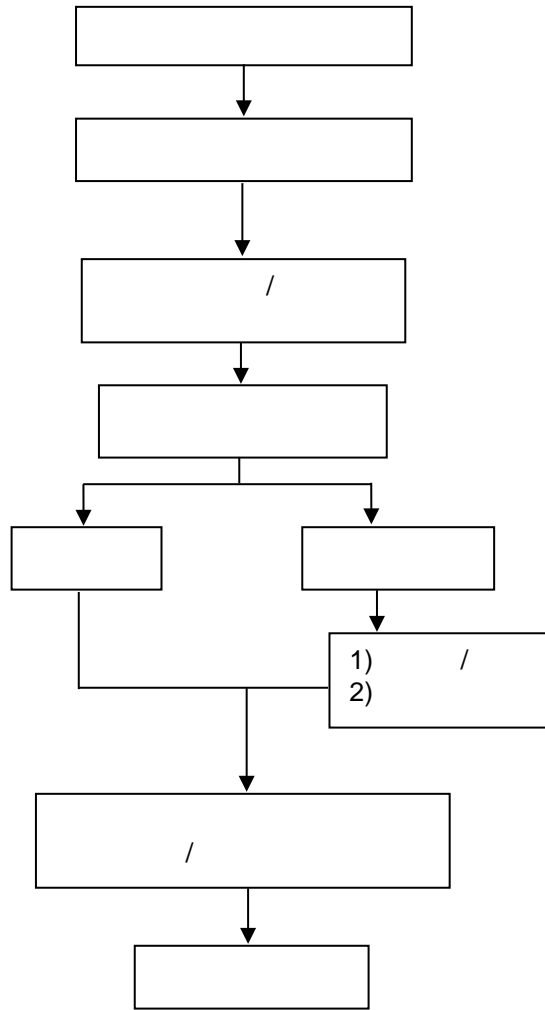
- (1) RoHS (EU) 2015/863
- (2) IEC 62321 EN 62321
- (3) 2021 7 22 DEHP BBP DBP DIBP

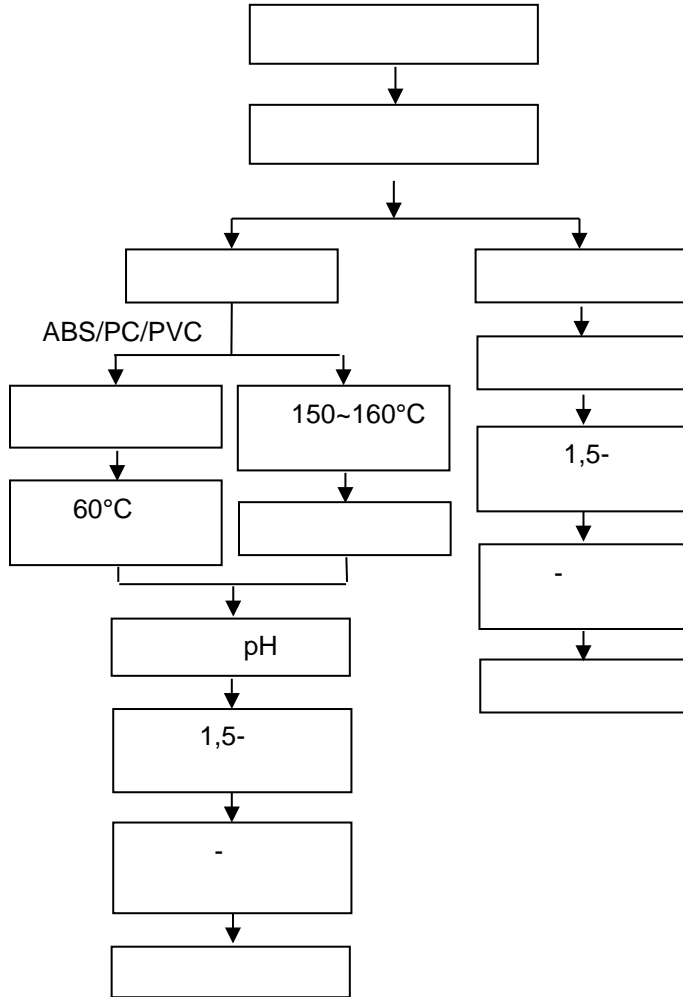
ù
 A57 (Pb) RoHS 2011/65/EU () |ANNEX III 7(c)-
 II ()

<https://rohs.sgsonline.com.cn/PDFLinks/zh-cn/RSTS-TP-037%20RoHS%20Exemption%20%28CN%29.pdf>
 ILAC-G8:09/2019 w=0

服务



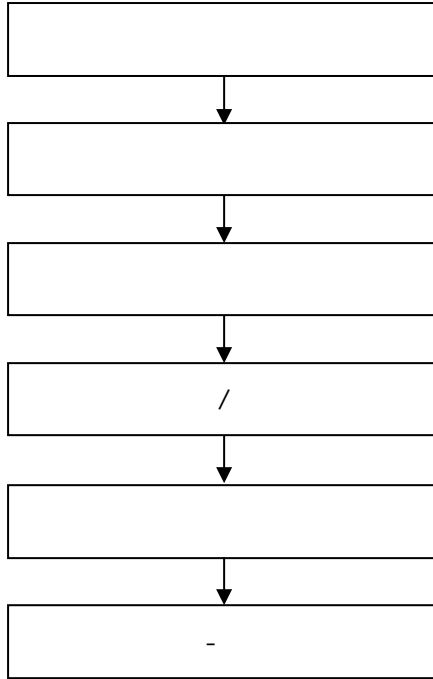




用章
ig Serv
Co., Ltd



PBB(s)/PBDE(s)/Phthalates



Unless

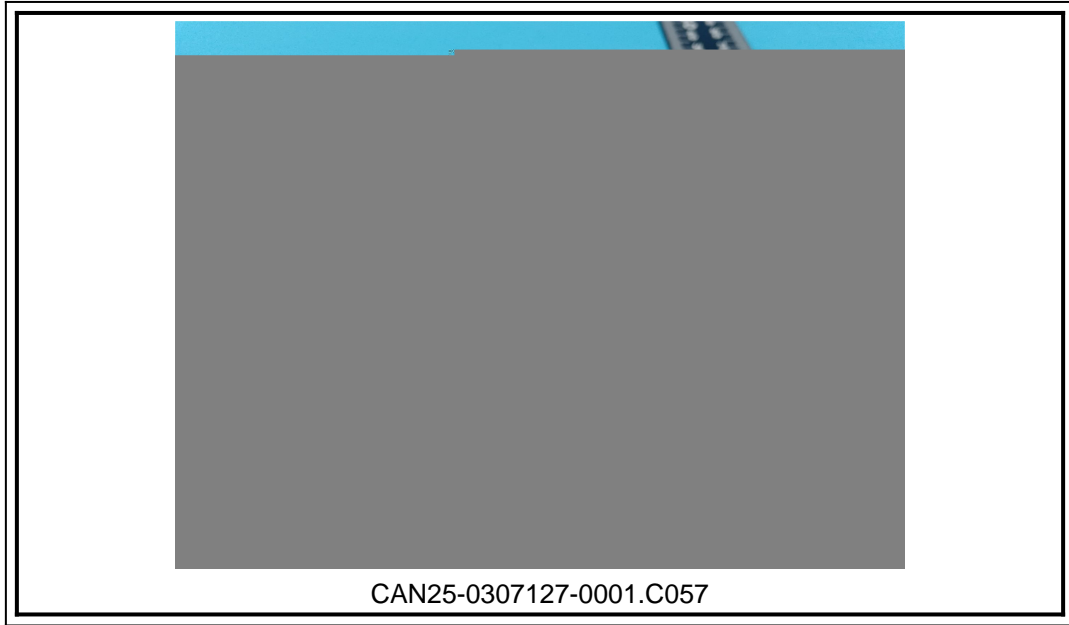


CANEC25030712728

2025 12 17

7

7



CAN25-0307127-0001.C057

SGS

Handwritten red text on the right margin, possibly a signature or date.



Unless